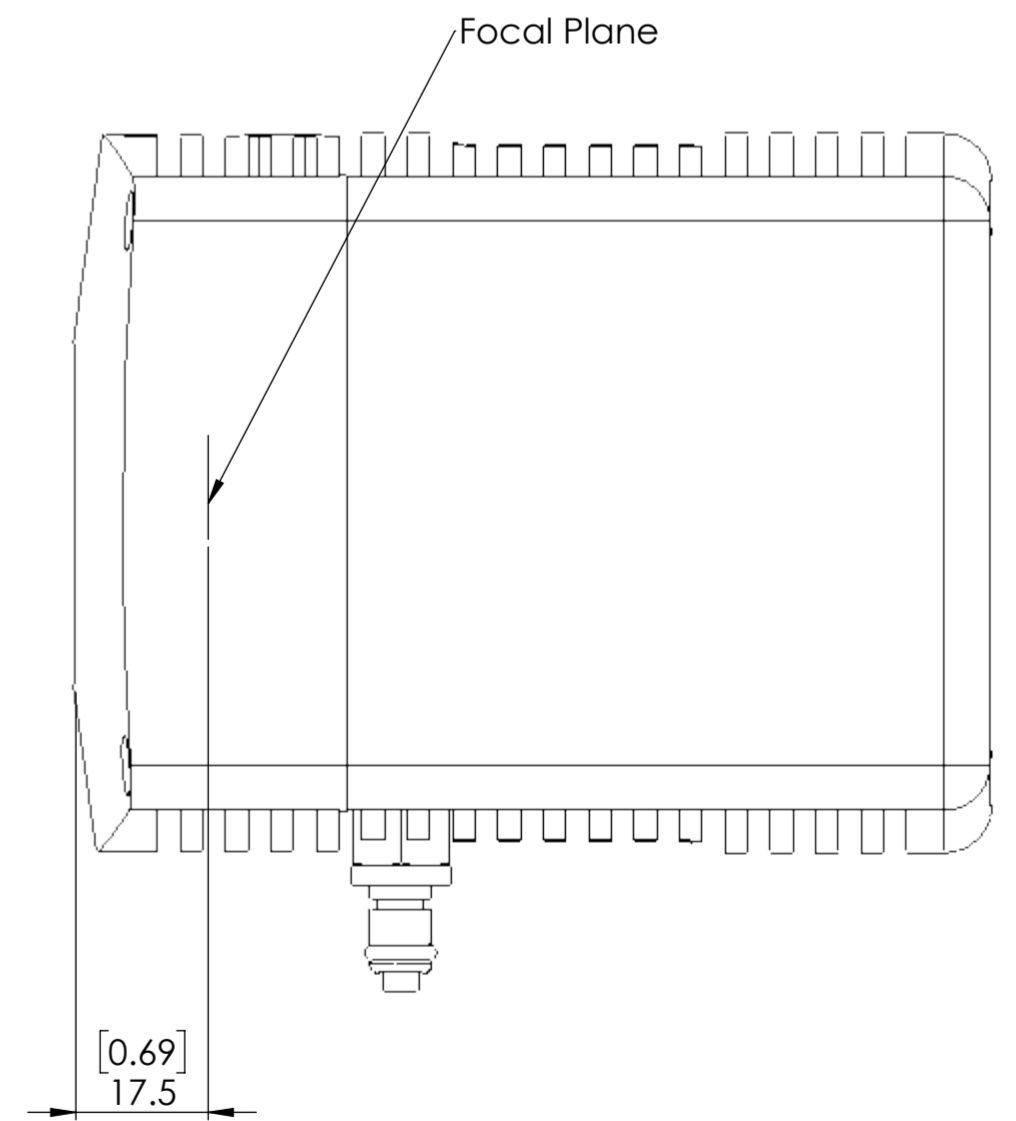
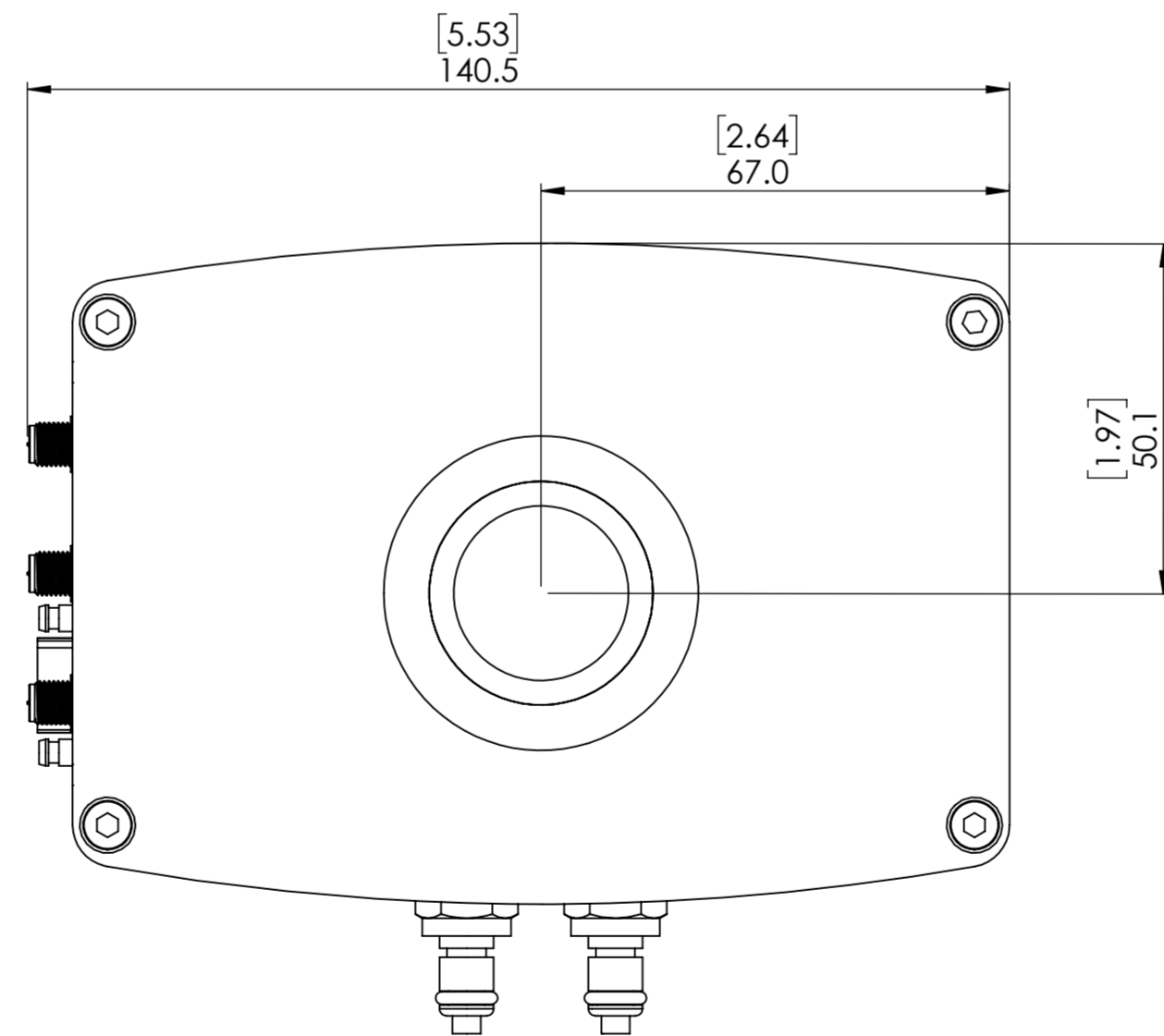
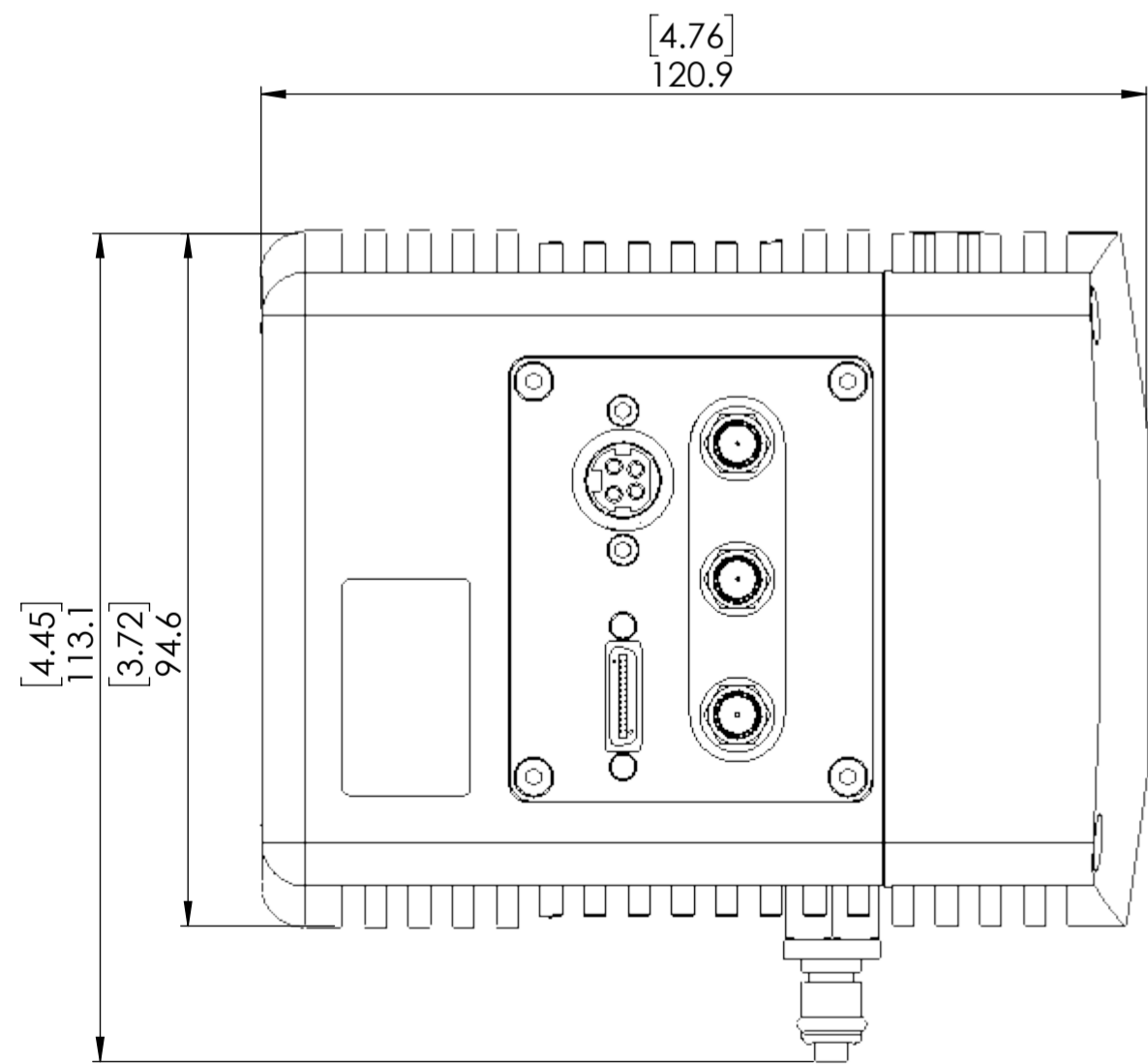


$\phi$  5.1  $\nabla$  10.0  
 1/4-20 UNC  $\nabla$  9.0



<b>TOLERANCE</b> 00 - +/- 0.25 mm 00.0 - +/- 0.10 mm 00.00 - +/- 0.05 mm (key dimensions)	NAME NM	DATE 05/01/21	Raptor Photonics Ltd
	COMMENTS: DIMENSIONS ARE IN MM PROPRIETARY AND CONFIDENTIAL THE INFORMATION CONTAINED IN THIS DRAWING IS THE SOLE PROPERTY OF Raptor Photonics Limited. ANY REPRODUCTION IN PART OR AS A WHOLE WITHOUT THE WRITTEN PERMISSION OF Raptor Photonics Limited IS PROHIBITED.		
			REV. <b>A</b> SHEET 1 OF 1