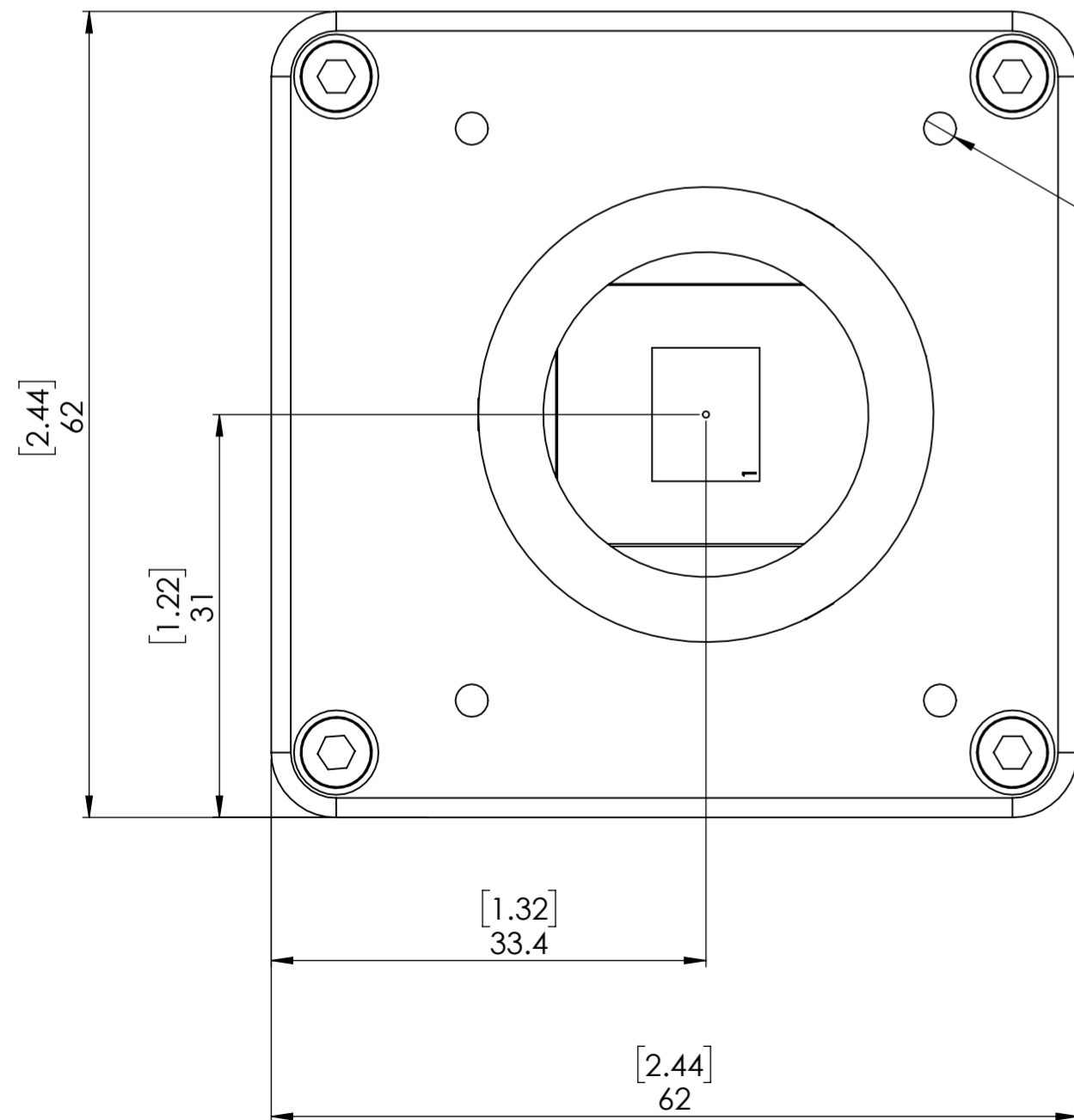


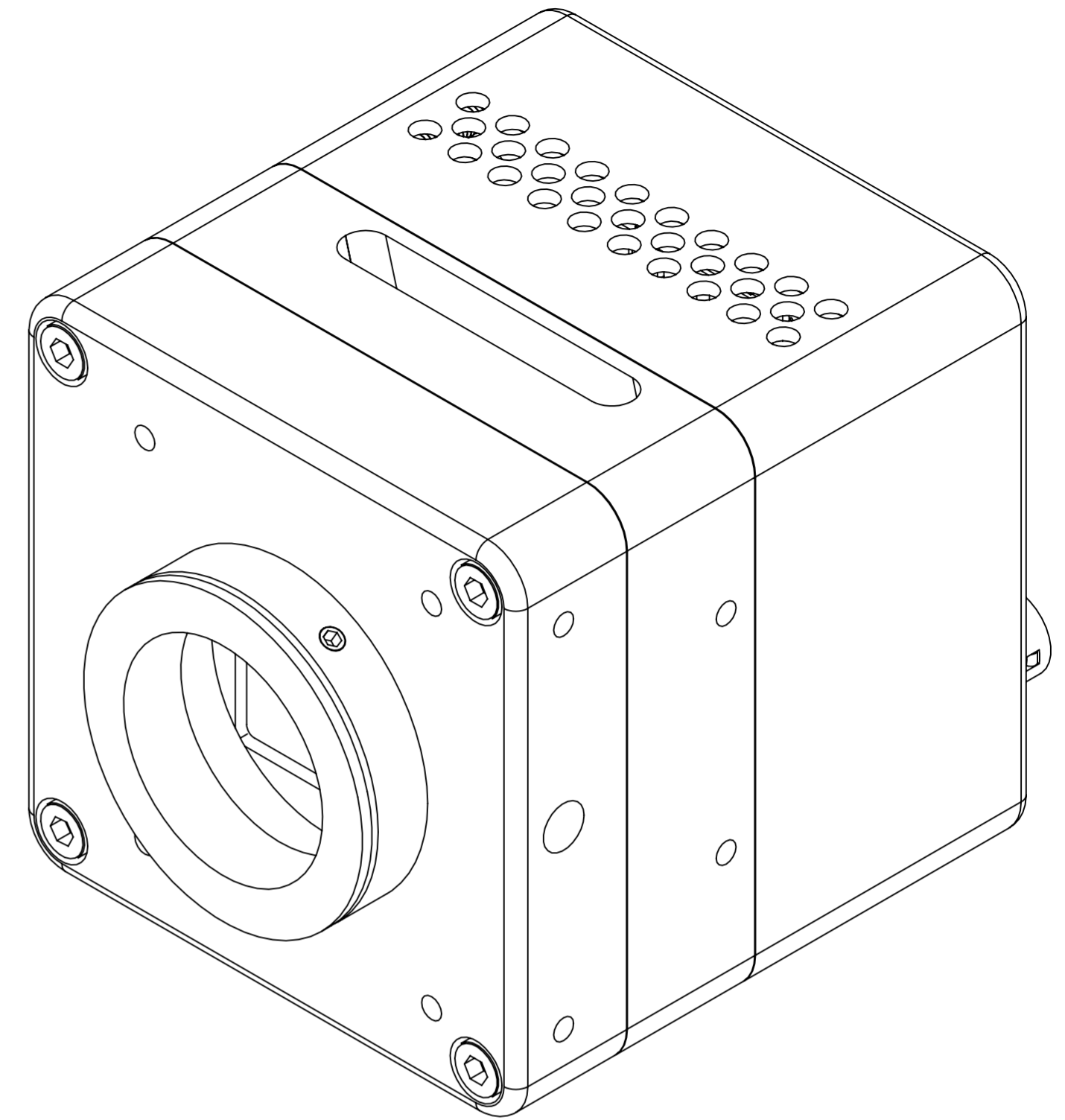
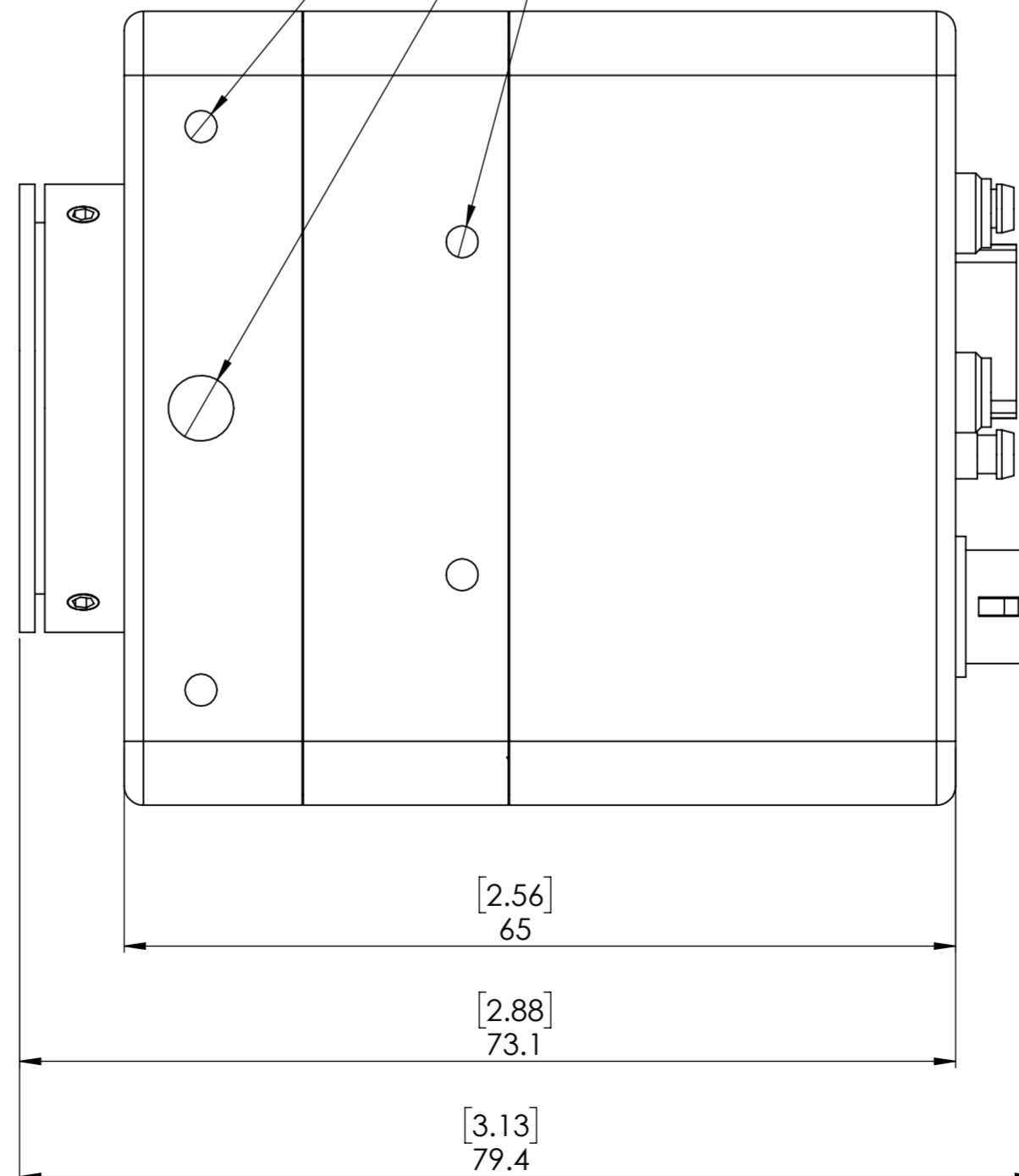
[0.69]
17.5



2 x ϕ 2.50 ∇ 7.50
M3x0.5 - 6H ∇ 6

ϕ 5.11 ∇ 6.50
1/4-20 UNC ∇ 5

2 x ϕ 2.50 ∇ 7.50
M3x0.5 - 6H ∇ 6



TOLERANCE 00 - +/- 0.25 mm 00.0 - +/- 0.10 mm 00.00 - +/- 0.05 mm (key dimensions)	DRAWN: NM NAME: NM DATE: 20/02/20	Raptor Photonics Ltd
	COMMENTS: DIMENSIONS ARE IN MM PROPRIETARY AND CONFIDENTIAL	
	THE INFORMATION CONTAINED IN THIS DRAWING IS THE SOLE PROPERTY OF Raptor Photonics Limited. ANY REPRODUCTION IN PART OR AS A WHOLE WITHOUT THE WRITTEN PERMISSION OF Raptor Photonics Limited IS PROHIBITED.	
DWG. TITLE: Assembly DO NOT SCALE DRAWING		REV. A SHEET 1 OF 1