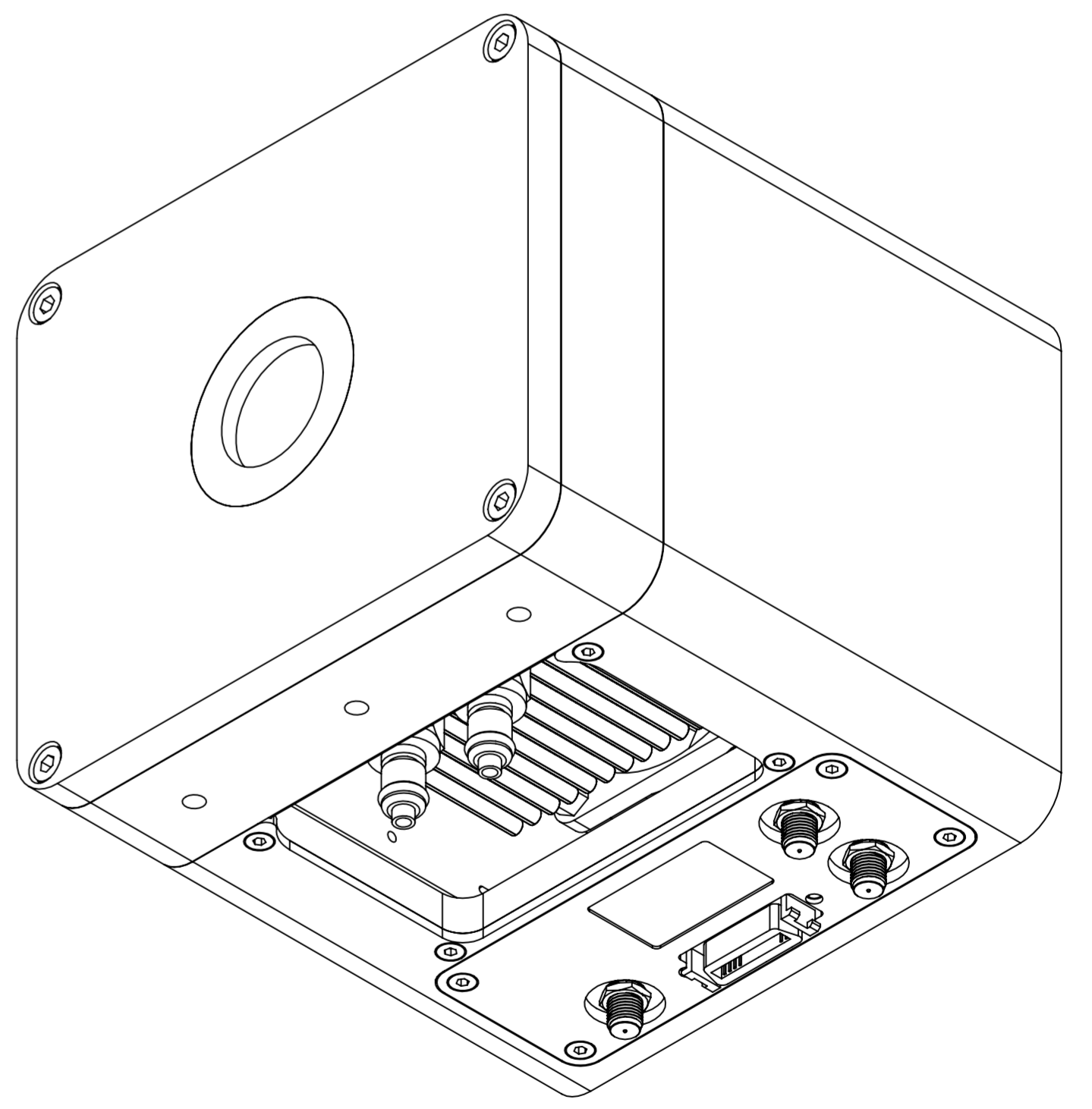
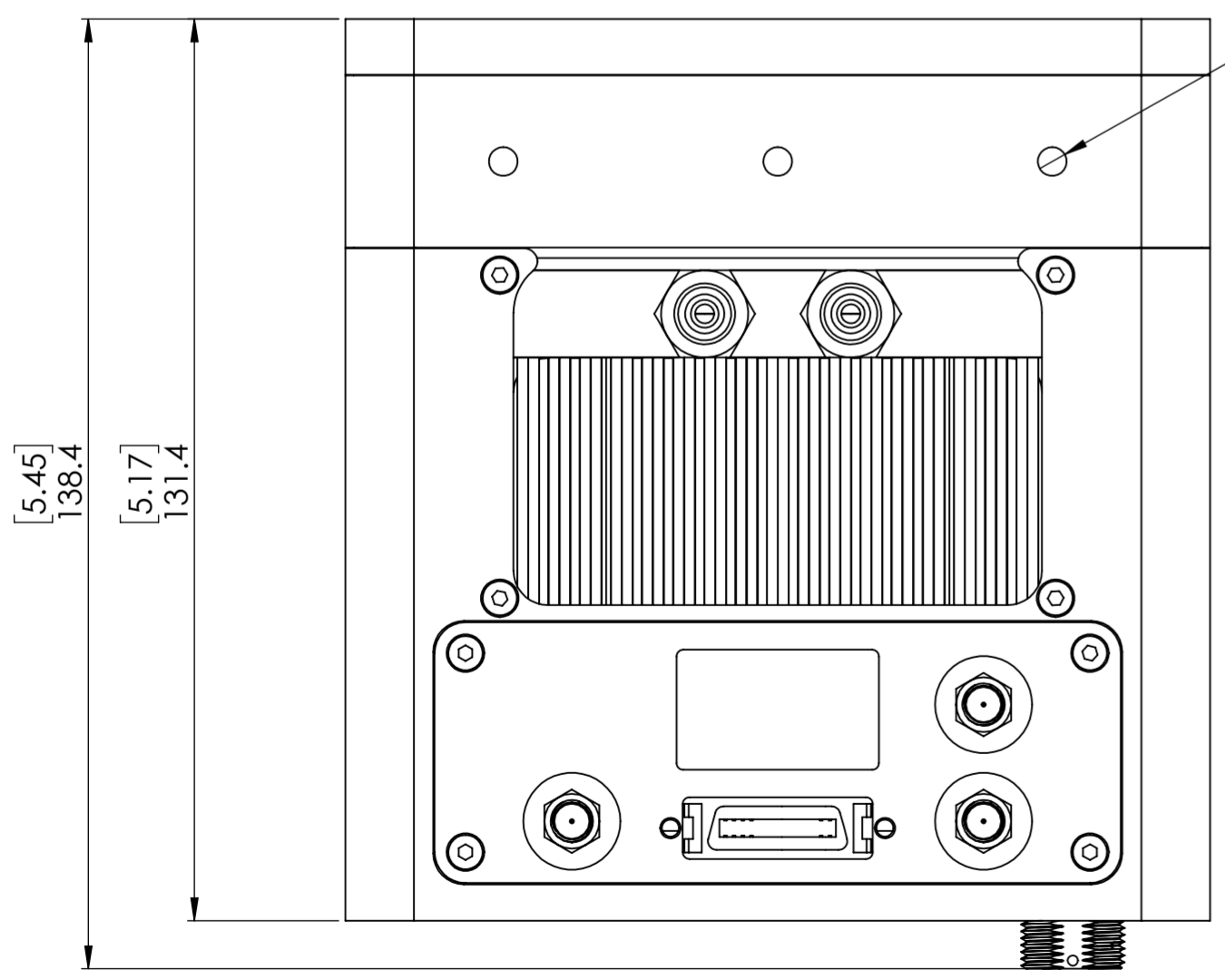


C-Mount Thread

Focal Plane

3 x \varnothing 4.2 ∇ 8.0
M5x0.8 - 6H ∇ 8.0



TOLERANCE 00 - +/- 0.25 mm 00.0 - +/- 0.10 mm 00.00 - +/- 0.05 mm (key dimensions)	NAME NM	DATE 10/12/21	Raptor Photonics Ltd
	COMMENTS: DIMENSIONS ARE IN MM PROPRIETARY AND CONFIDENTIAL THE INFORMATION CONTAINED IN THIS DRAWING IS THE SOLE PROPERTY OF Raptor Photonics Limited. ANY REPRODUCTION IN PART OR AS A WHOLE WITHOUT THE WRITTEN PERMISSION OF Raptor Photonics Limited IS PROHIBITED.		
			REV. A SHEET 1 OF 1